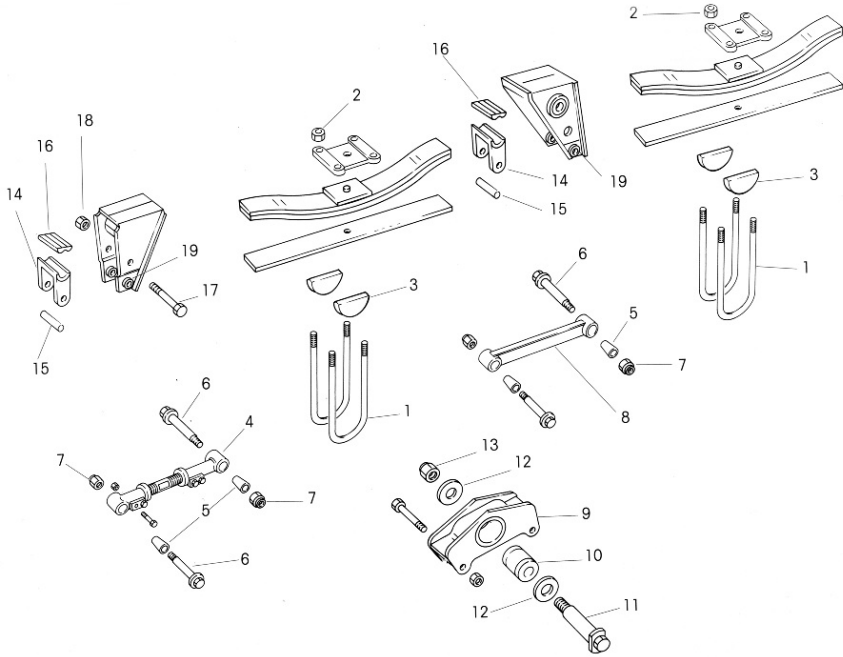


**BPW MECHANICAL
SUSPENSION**



- | | | |
|--|---------------------|-------------|
| 1. 'U' Bolt | 8. Torque arm Fixed | 17. Bolt |
| 2. 'U' Bolt Nut | 9. Equaliser | 18. Locknut |
| 3. Segment | 10. Bush Equaliser | 19. Bush |
| 4. Torque Arm - adjustable
Complete unbushed | 11. Bolt Equaliser | |
| 5. Bush - torque arm | 12. Washer | |
| 6. Bolt (torque arm)
150 x 30mm
Bolt (torque arm)
170 x 30mm
Bolt (torque arm)
190 x 30mm | 13. Lock Nut | |
| 7. Locknut (Torque arm) | 14. Bracket | |
| | 15. Tube | |
| | 16. Slide | |