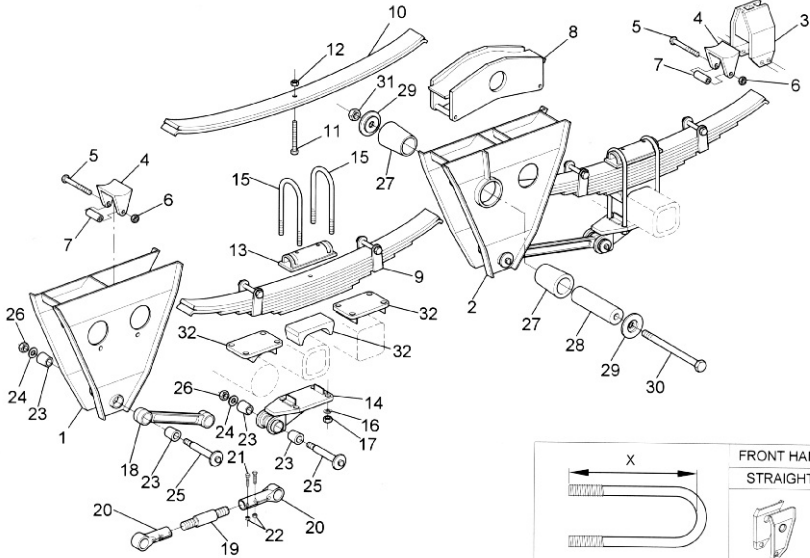


HF 'F' OVERSLUNG SUSPENSION

SUSPENSION PARTS



| | | |
|---|-----------------------------|-----------------------------------|
| 1. Front Hanger - Tapered Straight | 14. Axle Seat - Sq Axles | 24. Washer 25 Dia |
| 2. Rocker Hanger | Round Axles | 25. Radius Rod Pin |
| 3. Rear Hanger | 15. U Bolt - Dim X = 340 | 26. Nyloc Nut M24 |
| 4. Wear Plate Assy - C/w Bolt, Nut & Spacer Tube | Dim X = 380 | 27. Rocker Bush - Rubber |
| 5. Bolt M16 x 150 | Dim X = 300 | 28. Rocker Spacer Tube |
| 6. Nyloc Nut M16 | Dim X = 320 | 29. Retainer Washer |
| 7. Spacer Tube | Dim X = 390 | 30. Bolt M20 x 250 |
| 8. Rocker | Dim X = 410 | 31. Nyloc Nut M20 |
| 9. Spring - 8 Blade | 16. Washer 22 Dia | 32. Spring Chair - 127 Sq Axle |
| 9 Blade | 17. Nyloc Nut M22 | 127 Sq Axle |
| 10. Main Blade Set - 8 Blade | 18. Radius Rod - Fixed | 127 Dia Axle |
| 9 Blade | 19. Adjuster | 105 Sq Axle |
| 11. Centre Bolt M14 x 145 | 20. Radius Rod End - LH | 112 Sq Axle |
| 12. Nut M14 | RH | |
| 13. Saddle | 21. Bolt M12 x 55 | |
| | 22. Nyloc Nut M12 | |
| | 23. Radius Rod Bush | |

**Obsolete
Strongback
Replaced by Saddle**