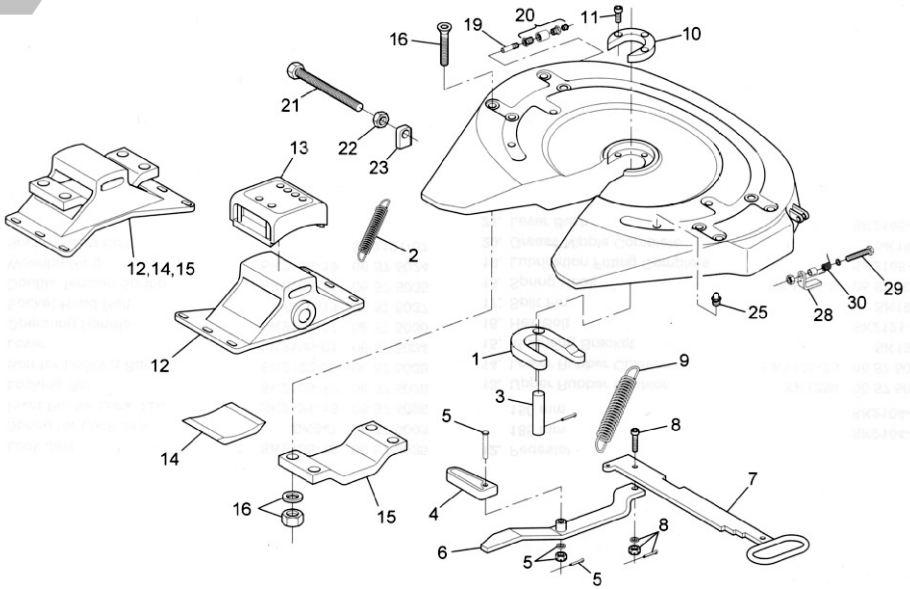


JSK 37C FIFTH WHEEL



- | | |
|----------------------------------|--|
| 1. Lock Jaw | 13. Upper Rubber Cushion |
| 2. Spring for Lock Jaw | 14. Lower Rubber Cushion |
| 3. Pivot Pin for Lock Jaw | 15. Mounting Bracket |
| 4. Locking Bar | 16. Hex Bolt |
| 5. Bolt for Locking Bar | 19. Lubrication Fitting Complete |
| 6. Lever | 20. Grease Nipple Complete |
| 7. Operating Handle | 21. Adjusting Screw |
| 8. Socket Head Bolt | 22. Hexagon Nut |
| 9. Double Tension Spring | 23. Guide Piece |
| 10. Wearing Ring | 25. Grease Nipple |
| 11. Socket Head Bolt | 28. Latch Complete |
| 12. Pedestal - 185mm 150mm | 29. Hex Bolt c/w Washer & Nut 30. Spring Noose c/w Spacer |