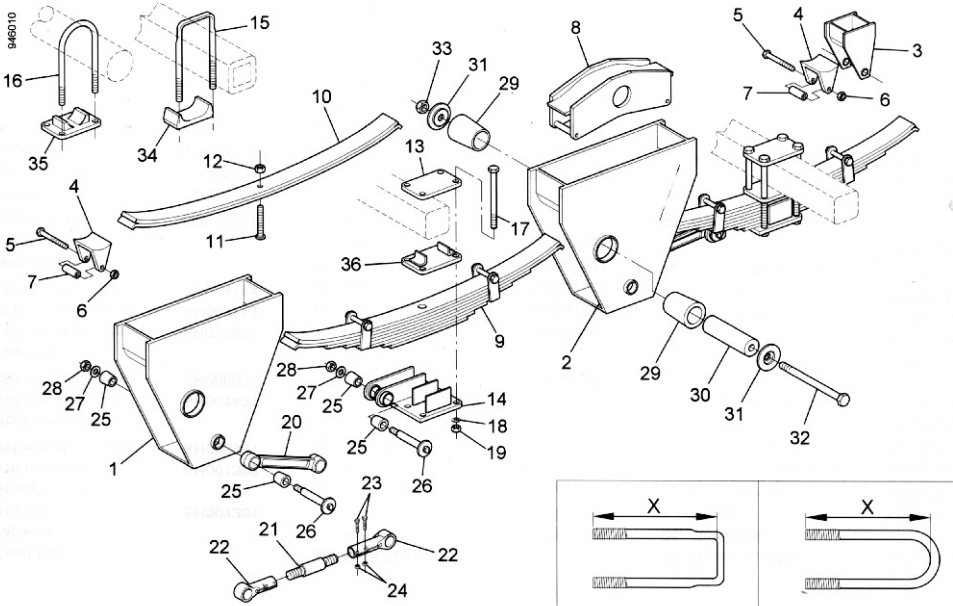


HF 'L' UNDERSLUNG SUSPENSION

SUSPENSION PARTS



1. Front Hanger - Tapered Heavy Duty 8mm Plate - LH / RH	10. Main Blade Set - 8 Blade 14mm Thk 9 Blade 16mm	LH / RH
Straight, Light Wt 6mm Plate - LH / RH	11. Centre Bolt M14 x 145	23. Bolt M12 x 55
2. Rocker Hanger Tapered - Heavy Duty LH 8mm Heavy Duty RH 8mm Light Wt LH 6mm Light Wt RH 6mm	12. Nut M14	24. Nyloc Nut M12
3. Rear Hanger - Heavy Duty LH 8mm Heavy Duty RH 8mm Light Wt LH 6mm Light Wt RH 6mm	13. Upper Clamp Plate - 105, 112, 130 Axle	25. Radius Rod Bush
4. Wear Plate Assy - C/w Bolt, Nut & Spacer Tube	14. Axle Seat - LH / RH	26. Radius Rod Pin
5. Bolt M16 x 150	15. U Bolt - 127 Sq USA Axle -	27. Washer
6. Nyloc Nut M16	16. U Bolt - 127 Round Axle -	28. Nyloc Nut M24
7. Spacer Tube	17. Bolt M22 - X 325 LG 105 Sq Axle X 350 LG 112 Sq Axle X 420 LG 130 Sq Axle	29. Rocker Bush - Rubber Polyurethane
8. Rocker	18. Washer 22 Dia	30. Rocker Spacer
9. Spring - 8 Blade / 9 Blade	19. Nyloc Nut M22	31. Retainer Washer
	20. Radius Rod - Fixed	32. Nyloc Nut M20
	21. Adjuster	34. Chair - 127 Sq USA Axle
	22. Radius Rod End -	35. Chair - 127 Round Axle
		36. Chair - 130 Sq Axle