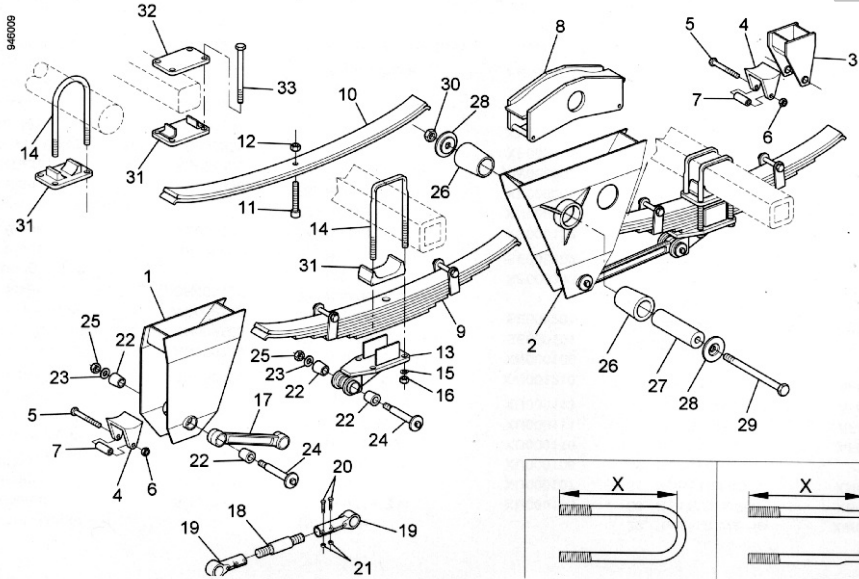


HF 'J' UNDERSLUNG SUSPENSION



1. Front Hanger - Tapered - 410mm High (old) Straight - 410mm High (old) 395mm High (new)	10. Main Blade Set - 8 Blade 9 Blade	24. Radius Rod Pin 25. Nyloc Nut M24 26. Rocker Bush - Rubber Polyurethane
2. Rocker Hanger - 410mm High (old) 480mm High (new)	11. Centre Bolt M14 x 145 12. Nut M14 13. Axle Seat	27. Rocker Spacer Tube 28. Retainer Washer 29. Bolt M20 x 250 30. Nyloc Nut M20
3. Rear Hanger 240mm High (old) 312mm High (new) LH 312mm High (new) RH	14. U Bolt - 127 Sq USA Axle - Dim X = 335 127 Dia Local Axle - Dim x = 320	31. Spring Chair - 127 Sq Axle 127 Dia Axle 105 Sq Axle 112 Sq Axle
4. Wear Plate Assy - C/w Bolt, Nut & Spacer tube	15. Washer 22 Dia 16. Nyloc Nut M22 17. Radius Rod End - LH RH	32. Upper Clamp Plate - 105, 112 Sq Axle 33. Bolt 105, 112 Sq Axle - 8 Bl Spring M22 x 325 9 Bl Spring M22 x 350
5. Bolt M16 x 160 6. Nyloc Nut M16 7. Spacer Tube	18. Radius Rod End - LH RH 20. Bolt M12 x 55 21. Nyloc Nut M12 22. Radius Rod Bush 23. Washer	
8. Rocker 9. Spring - 8 Blade 9 Blade		