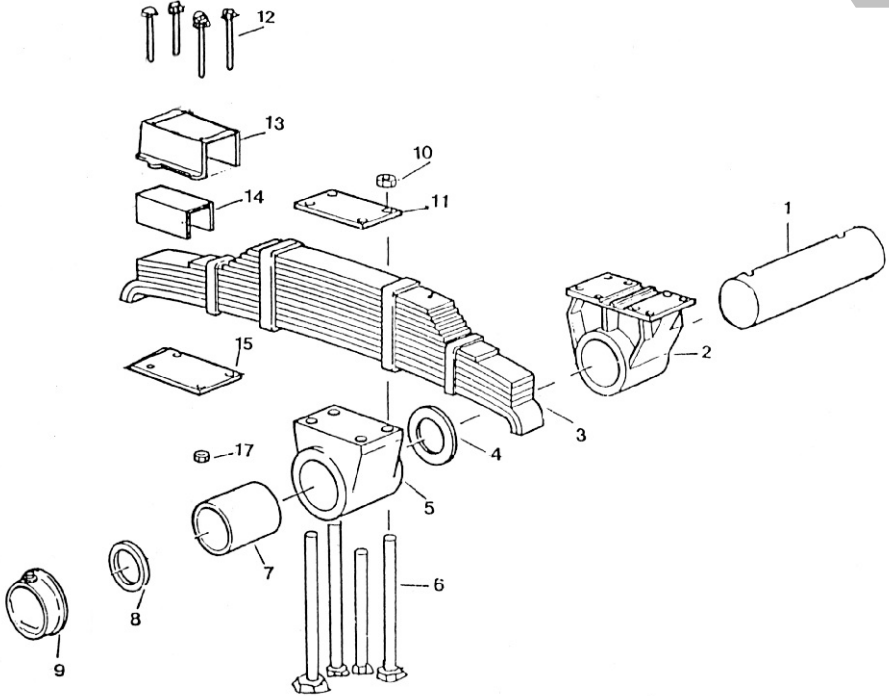


# SW BOGIE Suspension



1. Swift New Type Pivot Pin

9. Keep Full Dust Cover

3. Spring Assembly

10. M30 Nyloc Nut

4. Wearing Ring

11. Spring Top Clamp Plate

5. Pivot Housing

12. M20 x 170 Hex Bolt

6. Studs for Pivot Housing

13. Spring Housing

7. Bogie Bush

14. Spring Hood Rubber

8. MIS 40 Oil Seal

15. Axle Pad

17. M20 Nyloc Nut