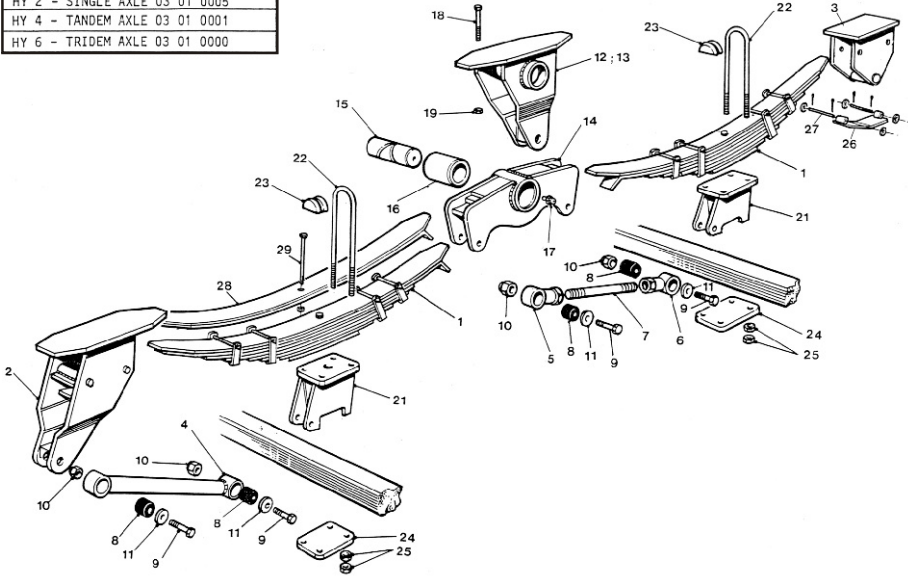


# HF YORK Suspension

HY 2 - SINGLE AXLE 03 01 0005
HY 4 - TANDEM AXLE 03 01 0001
HY 6 - TRIDEM AXLE 03 01 0000



1. 8 Blade Spring	11. M24 Flat Washer	21.Spring Seat
2. Front Hanger Bracket	12. Rocker Hanger Bracket LH	22.U Bolt
3. Rear Hanger Bracket	13. Rocker Hanger Bracket RH	23.Strongback
4. Fixed Radius Rod	14. Rocker Bracket	24.Spring Clamp Plate
5. Rod End With Nut LH	15. Rocker Pin	25.Nyloc Nut M22
6. Rod End with Nut RH	16. Rocker Bush - Vesconite	26.Wearing Plate
7. Adjusting Screw	17. Grease Nipple BSF 1/8" Straight	27.Pin Assembly c/w Washer & Split Pins
8. Radius Rod Rubber Bush	18. H.T. Hex Bolt M10 x 100	28.Main Blade Set of 2
9. M24 x 110mm HT Bolt	19. Hex Head Nut M10	29.Centre Bolt M14 x 145 c/w Nut
10. M24 Nyloc Nut	20. Spring Washer M10	

SUSPENSION PARTS