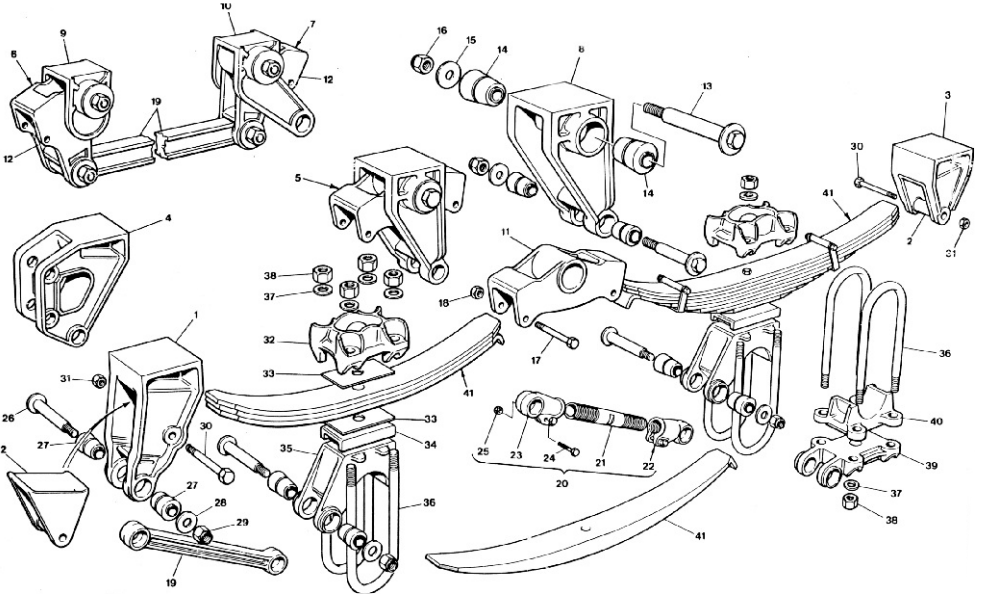


**PRO SMT**  
Suspension



- |                                      |                                     |   |
|--------------------------------------|-------------------------------------|---|
| 1. Front Hanger Bracket              | 20B Adj. Torque Arm Assy - W/Spread | 35. Spring Seat (26mm)                      |
| 2. Wear Insert                       | 20C Adj. T/Arm Assy - Underslung    | 35. Spring Seat (51mm)                      |
| 3. Rear Hanger Bracket               | 21A Adj. Torque Arm Screw           | 36. U Bolt - Standard                       |
| 4. Front Drawbar Bracket             | 21B Adj. Torque Arm Screw           | 36. U Bolt - Underslung                     |
| 5. Equaliser Assy - Close Coupled    | 21C Adj. Torque Arm Screw           | 37. U Bolt Washer                           |
| 7. Rear Equaliser Assy - W/Spread    | 22A Adj. Torque Arm Assy - LH       | 38. U Bolt Nut                              |
| 8. Equaliser Bracket - Close Coupled | 22B Adj. Torque Arm Assy - RH       | 39. Torque Arm Mounting Brkt - Underslung   |
| 9. Fwd Equaliser Brkt - W/Spread     | 23A Adj. Torque Arm End - LH        | 40. Spring Seat - Underslung                |
| 10. Rear Equaliser Brkt - W/Spread   | 23B Adj. Torque Arm End - RH        | 41A Spring Assy - 3 Leaf                    |
| 11. Equaliser - Close Coupled        | 24. Clamp Bolt                      | 41B Spring Assy - 3 Leaf - Tridem Centre    |
| 12. Equaliser - Wide Spread          | 25. Clamp Bolt Nut                  | 41C Spring Assy - 8 Leaf                    |
| 13. Equaliser Bolt                   | 26. Torque Arm Bolt                 | 41D Spring Assy - 8 Leaf - Tridem Centre    |
| 14. Equaliser Bush                   | 27. Torque Arm Bush                 | 41 Spring Single Taper Leaf                 |
| 15. Equaliser Bush Clamp Washer      | 28. Torque Arm Bolt Washer          | 41 Spring Single Taper Leaf - Tridem Centre |
| 16. Equaliser Bolt Locknut           | 29. Torque Arm Bolt Locknut         |   |
| 17. Equaliser Rebound Bolt           | 30. Wear Insert Bolt                |   |
| 18. Equaliser Rebound Bolt Nut       | 31. Wear Insert Bolt Locknut        |   |
| 19A Rigid Torque Arm (464)           | 32. Top Plate                       |   |
| 19B Rigid T/ Arm - Wide Spread (699) | 33. Delrin Liner                    |   |
| 19C Rigid T/ Arm - Wide Spread (381) | 34. Spacer Block (25mm)             |   |
| 19D Rigid T/ Arm - Underslung (438)  | 34. Spacer Block (70mm)             |   |
| 20A Adj. T/ Arm Assy (498-441)       | 34. Spacer Block (45mm)             |   |