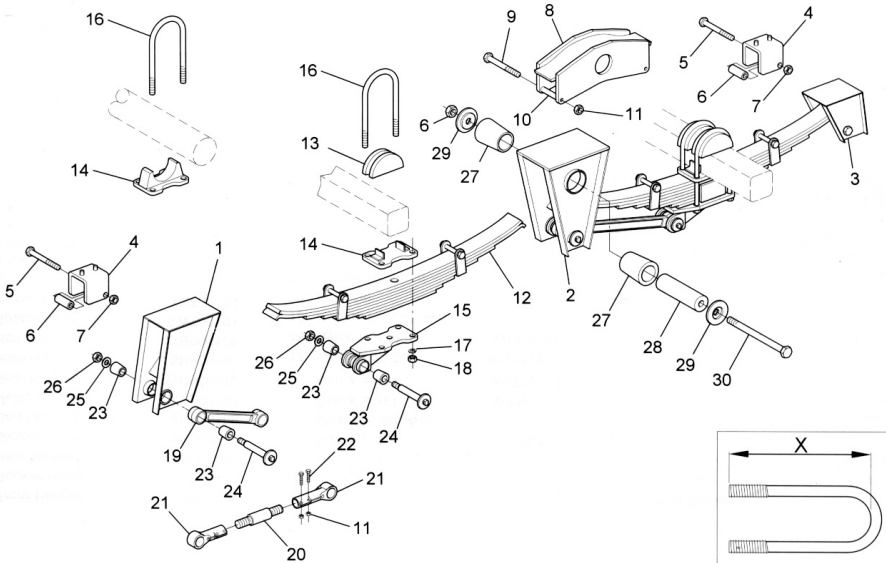


**SW "SWPT" UNDERSLUNG
SUSPENSION**



1. Front Hanger	15. Spring Chair	25. Washer 25 Dia
2. Rocker Hanger	127 Dia Axle	26. Nyloc Nut
3. Rear Hanger	92sq & 105sq Axle	27. Rocker Bush -
4. Slipper Liner	16. U Bolt -	Rubber Polyurethane
5. Bolt M20 x 140	127 Dia Axle	28. Rocker Spacer Tube
6. Nyloc Nut M20	Dim X = 355	29. Retainer Washer
7. Spacer Tube	92sq & 105sq Axle	30. Bolt M20 x 250
8. Rocker	Dim X=401	31. Delrin Liner (Not Shown)
9. Bolt M12 x 120	17. Washer 22 Dia	8 & 9 Blade
10. Spacer Tube	18. Nyloc Nut M22	3 Blade
11. Nyloc Nut M12	19. Radius Rod - fixed	
12. Spring -	20. Adjuster	Obsolete
8, 9, 3 blade	21. Radius Rod End -	Rocker Pin 850375 replaced
13. Strongback	LH / RH	By Bolt M20 x 250
127 Dia Axle	22. Bolt M12 x 55	Rocker Spacer Tube
92sq & 105sq Axle	23. Radius Rod Bush	Retainer Washer
14. Axle Seat	24. Radius Rod Pin	Nyloc Nut M20