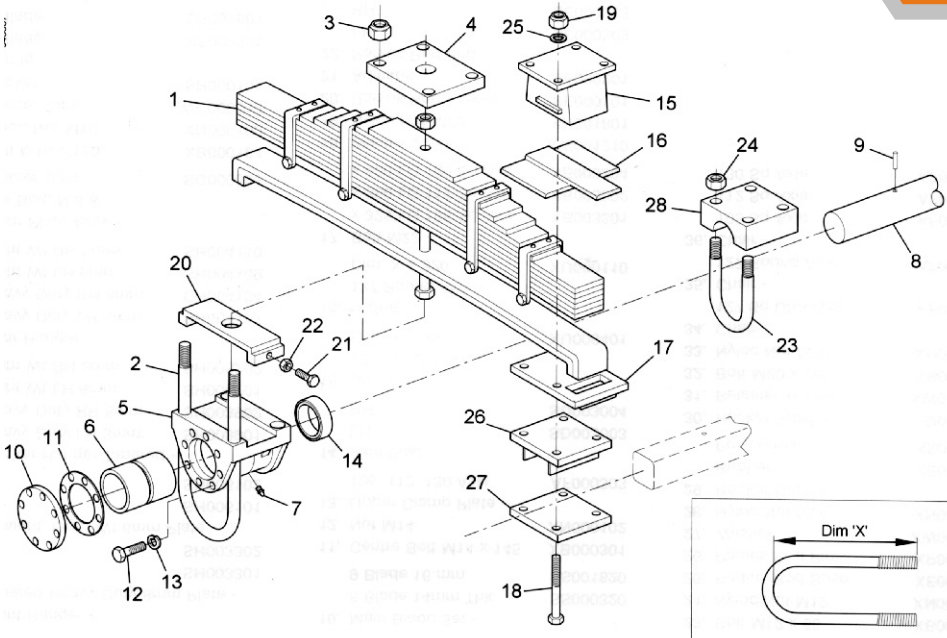


# HF 'H2' TANDEM BOGIE SUSPENSION



1. Spring - Std Duty 15 Blade Heavy Duty 12 Blade	9. Locating Pin - Dia 16 x 30	Dim X = 185 Dim X = 215
2. U Bolt M30 Dim X = 460 Dim X = 470 Dim X = 470 HiTen	10. End Plate	24. Nyloc Nut M24
3. Nyloc Nut M30	11. End Gasket	25. Washer Dia 22
4. Clamp Plate	12. Setscrew M14 x 30	26. Upper Clamp Plate - 105 Sq Axle 112 Sq Axle 127 Sq Axle
5. Pivot Block	13. Washer Spring Dia 14	27. Lower Clamp Plate - 105 Sq Axle 112 Sq Axle 127 Sq Axle
6. Pivot Bush - Std Duty - Nylon Heavy Duty - Bronze	14. Oil Seal	28. Bogie Mounting Block
7. Grease Nipple	15. Spring Hood	29. Main Blade Set
8. Cross Shaft - Std Duty Heavy Duty (HD identified by '2' stamped on end)	16. T-Rubber	30. Centre Bolt M14 x 305 C/w M14 Nut
	17. Slotted Plate	
	18. Bolt - Spring Hood - 105 Axle M22 x 340 112 Axle M22 x 350 127 Axle M22 x 380	
	19. Nyloc Nut M22	
	20. Bogie Adjuster	
	21. Setscrew M20 x 70	
	22. Nut M20	
	23. U Bolt M24 -	