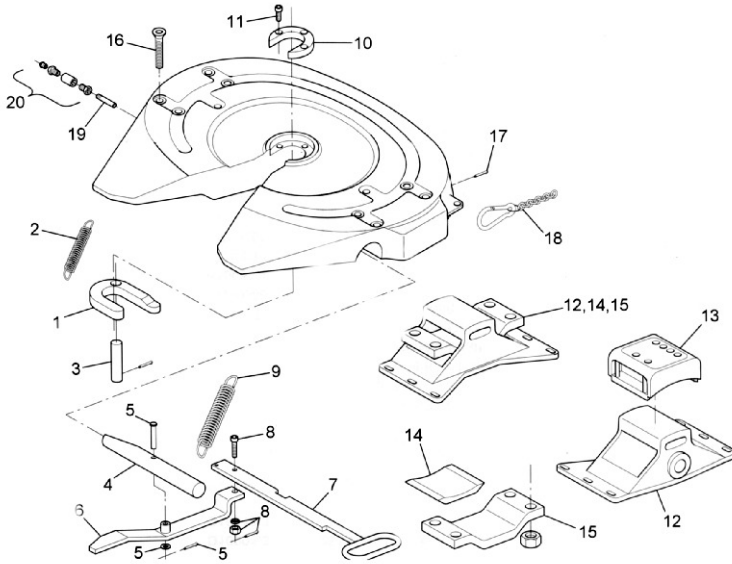


# JSK 36C FIFTH WHEEL



- |                           |                                  |
|---------------------------|----------------------------------|
| 1. Lock Jaw               | 12. Pedestal -                   |
| 2. Spring for Lock Jaw    | 185mm                            |
| 3. Pivot Pin for Lock Jaw | 150mm                            |
| 4. Locking Bar            | 13. Upper Rubber Cushion         |
| 5. Bolt for Locking Bar   | 14. Lower Rubber Cushion         |
| 6. Lever                  | 15. Mounting Bracket             |
| 7. Operating Handle       | 17. Split Pin                    |
| 8. Socket Head Bolt       | 18. Spring Hook                  |
| 9. Double Tension Spring  | 19. Lubrication Fitting Complete |
| 10. Wearing Ring          | 20. Grease Nipple Complete       |
| 11. Socket Head Bolt      | 21. Lever Bush                   |